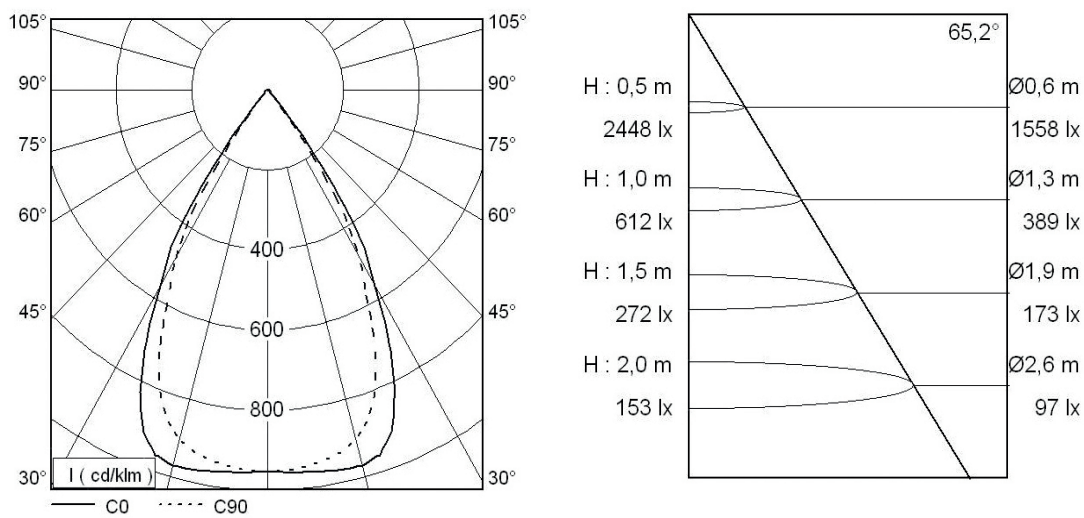




**Light distribution** (measured with Philips SLM Gen4 3000 lm/4000 K)



<b>LED</b>	Made in Germany	50.000h 5 Jahre	CE	220-240V 50/60 Hz	<b>PHILIPS</b> Kooperationspartner
------------	-----------------	--------------------	----	----------------------	---------------------------------------

## LED Data

Philips 1100lm / 830 A+  
Philips 1100lm / 840 A+  
Philips 1100lm / 930 A+  
Philips 2000lm / 830 A+  
Philips 2000lm / 840 A+  
Philips 2000lm / 930 A+

Different LED manufacturers on request

## Description

Recessed Luminaires  
Mounting frame made of sheet steel  
Heat sink made of extruded aluminium black anodised  
Reflector made of aluminium MIRO  
All visible parts powder coated  
Tool-free installation by spring technology  
incl. LED driver

## Technical Information

Electronics	Standard version ON / OFF
Electronics	Dimmable DALI
Dimension	OD: 115x115mm / CC: 100x100mm / RD: 130mm
Ceiling thickness	1 - 18mm
Weight	approx. 0,9kg
Colour	Standard: white (RAL 9016), silver (RAL 9006), black (RAL 9005) All RAL colours available Surface fine structure
Reflector design	matt Glare evaluation UGR < 19 (without safety glass)
Supply voltage	220-240V, 50/60 Hz
Protection type	IP 20
Protection class	I / II
Lighting Technology	LED Standard Optional LED for brilliant white and colours in fashion lighting Optional LED for bakery, vegetable and meat products
Supply unit	external LED driver
Cooling	passive
LED Lifetime	50.000 operating hours

**OD** = outer diameter / **CC** = ceiling cutout / **RD** = recessed depth

We reserve the right to change technical details and contents of this data sheet. We are not legally responsible for any unavoidable errors. Product images are examples and may differ from the original.