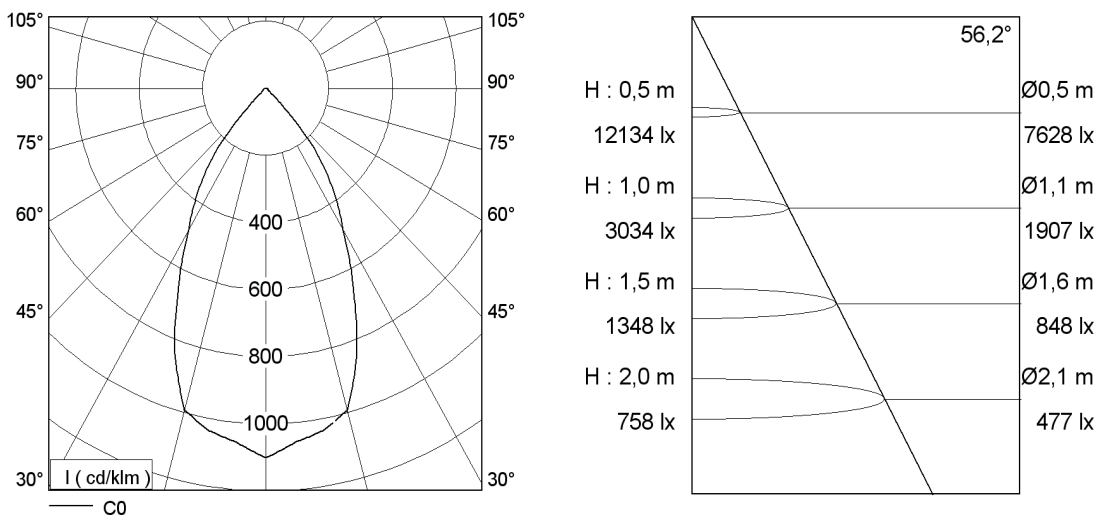


**Light distribution** (measured with Philips SLM Gen4 3000 lm/4000 K)



<b>LED</b>	Made in Germany	50.000h 5 Jahre	CE	220-240V 50/60 Hz	<b>PHILIPS</b> Kooperationspartner
------------	-----------------	--------------------	----	----------------------	---------------------------------------

## LED Data

Philips 1100lm / 830 A+  
Philips 1100lm / 840 A+  
Philips 1100lm / 930 A+  
Philips 2000lm / 830 A+  
Philips 2000lm / 840 A+  
Philips 2000lm / 930 A+  
Philips 3000lm / 830 A+  
Philips 3000lm / 840 A+  
Philips 2500lm / 930 A+

Different LED manufacturers on request

## Description

Recessed Luminaires  
Recessed trim and cover trim from die-cast aluminum  
Heat sink made of extruded aluminium black anodised  
Safety glass integrated in the cover trim  
Bolted Cover trim  
All visible parts powder coated  
Reflector made of aluminium, polished and anodised  
Installation by spring technology  
incl. LED driver

## Technical Information

Electronics	Standard version ON / OFF
Electronics	dimnable DALI
Dimension	OD: 240mm / CC: 225mm / RD: 175mm
Weight	approx. 2.3kg
Colour	Standard: white (RAL 9016), silver (RAL 9006), black (RAL 9005) All RAL colours available Special powder coating for outdoor use possible Surface fine structure
Reflector design	specular / matt
Safety glass	clear or matt
Supply voltage	220-240V, 50/60 Hz
Protection type	IP65
Protection class	I/II
Lighting Technology	LED Standard
Supply unit	external LED driver
Cooling	passive
LED Lifetime	50.000 operating hours

**OD** = outer diameter / **CC** = ceiling cutout / **RD** = recessed depth

We reserve the right to change technical details and contents of this data sheet. We are not legally responsible for any unavoidable errors. Product images are examples and may differ from the original.