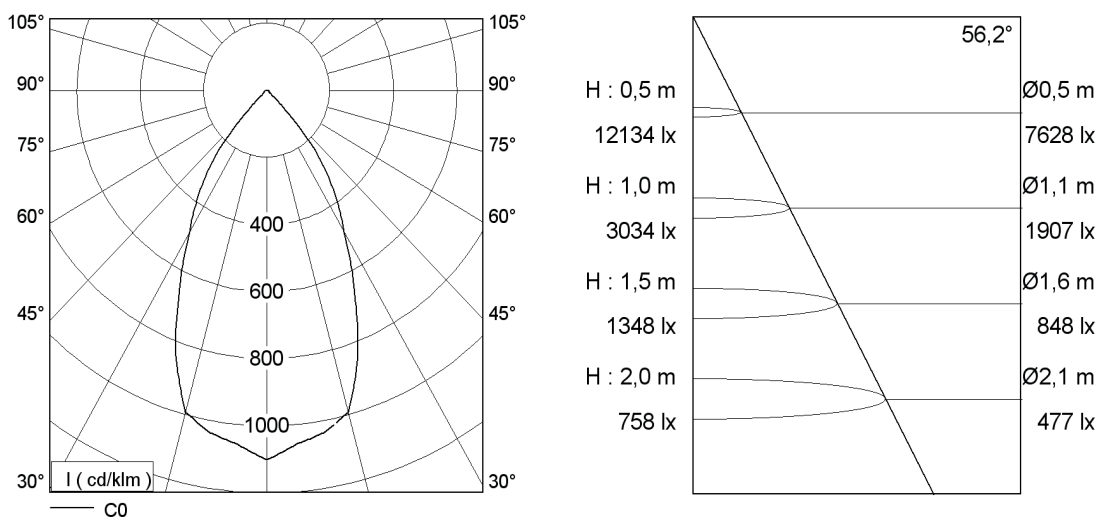


Light distribution (measured with Philips SLM Gen4 3000 lm/4000 K)



LED	Made in Germany	50.000h 5 Jahre	CE	220-240V 50/60 Hz	PHILIPS Kooperationspartner
------------	-----------------	--------------------	----	----------------------	---------------------------------------

LED Data

Philips 1100lm / 830 A+
Philips 1100lm / 840 A+
Philips 1100lm / 930 A+
Philips 2000lm / 830 A+
Philips 2000lm / 840 A+
Philips 2000lm / 930 A+
Philips 3000lm / 830 A+
Philips 3000lm / 840 A+
Philips 3000lm / 930 A+
Philips 4500lm / 830 A+
Philips 4500lm / 840 A+
Philips 4500lm / 930 A+

Different LED manufacturers on request

Description

Recessed Luminaires
Recessed Ring from die-cast aluminium with bayonet lock
Heat sink made of extruded aluminium black anodised
Safety glass integrated in the cover trim
Reflector made of aluminium, polished and anodised
All visible parts powder coated
Tool-free installation by spring technology
incl. LED driver

Technical Information

Electronics	Standard version ON / OFF
Electronics	dimnable DALI
Dimension	OD: 259mm / CC: 242mm / RD: 175mm
Ceiling thickness	1 - 20mm
Weight	approx. 1,9kg
Colour	Standard: white (RAL 9016), silver (RAL 9006), black (RAL 9005) All RAL colours available Surface fine structure
Reflector design	specular / matt Glare evaluation UGR < 19 (without safety glass)
Safety glass	clear or matt
Supply voltage	220-240V, 50/60 Hz
Protection type	IP20 or IP44 (with safety glass)
Protection class	I/II
Lighting Technology	LED Standard Optional LED for brilliant white and colours in fashion lighting Optional LED for bakery, vegetable and meat products
Supply unit	external LED driver
Cooling	passive
LED Lifetime	50.000 operating hours

OD = outer diameter / **CC** = ceiling cutout / **RD** = recessed depth

We reserve the right to change technical details and contents of this data sheet. We are not legally responsible for any unavoidable errors. Product images are examples and may differ from the original.