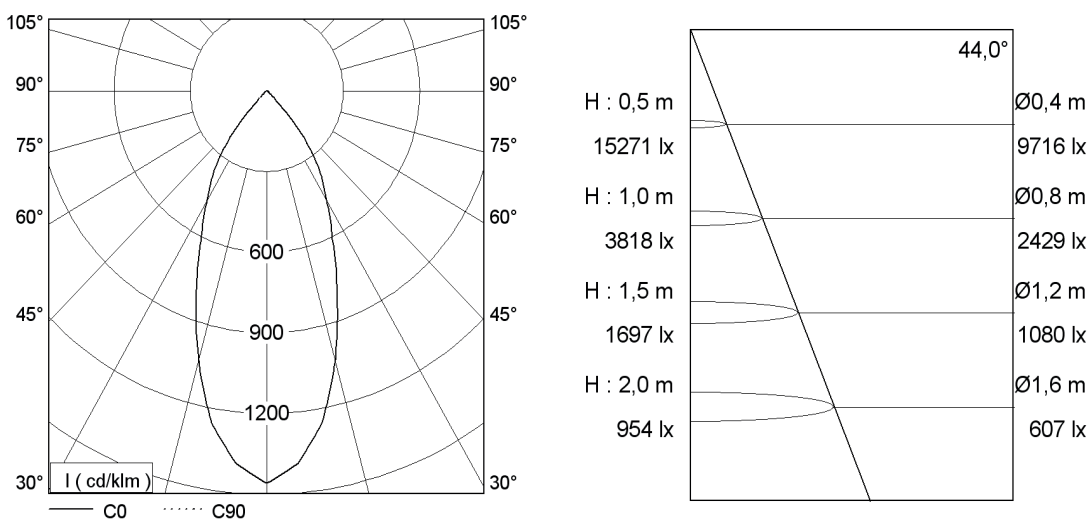




Light distribution (measured with Philips SLM Gen4 3000 lm/4000 K)



LED	Made in Germany	50.000h 5 Jahre	CE	220-240V 50/60 Hz	PHILIPS Kooperationspartner
------------	-----------------	--------------------	----	----------------------	---------------------------------------

LED Data

Philips 1100lm / 830 A+
Philips 1100lm / 840 A+
Philips 1100lm / 930 A+
Philips 2000lm / 830 A+
Philips 2000lm / 840 A+
Philips 2000lm / 930 A+
Philips 3000lm / 830 A+
Philips 3000lm / 840 A+
Philips 3000lm / 930 A+

Different LED manufacturers on request

Description

Recessed Luminaires
Recessed trim and cover trim from die-cast aluminum
Heat sink made of extruded aluminium black anodised
Safety glass integrated in the cover trim
Bolted Cover trim
All visible parts powder coated
Reflector made of aluminium, polished and anodised
Installation by spring technology
incl. LED driver

Technical Information

Electronics	Standard version ON / OFF
Electronics	dimnable DALI
Dimension	OD: 194mm / CC: 175mm / RD: 170mm
Ceiling thickness	1 – 18mm
Weight	approx. 1.4kg
Color	Standard: white (RAL 9016), silver (RAL 9006), black (RAL 9005) All RAL colours available Special powder coating for outdoor use possible Surface fine structure
Reflector design	specular / matt
Safety glass clear or matt	
Supply voltage	220-240V, 50/60 Hz
Protection type	IP65
Protection class	I/II
Lighting Technology	LED Standard
Supply unit	integrated LED driver
Cooling	passive
LED Lifetime	50.000 operating hours

OD = outer diameter / **CC** = ceiling cutout / **RD** = recessed depth

We reserve the right to change technical details and contents of this data sheet. We are not legally responsible for any unavoidable errors. Product images are examples and may differ from the original.