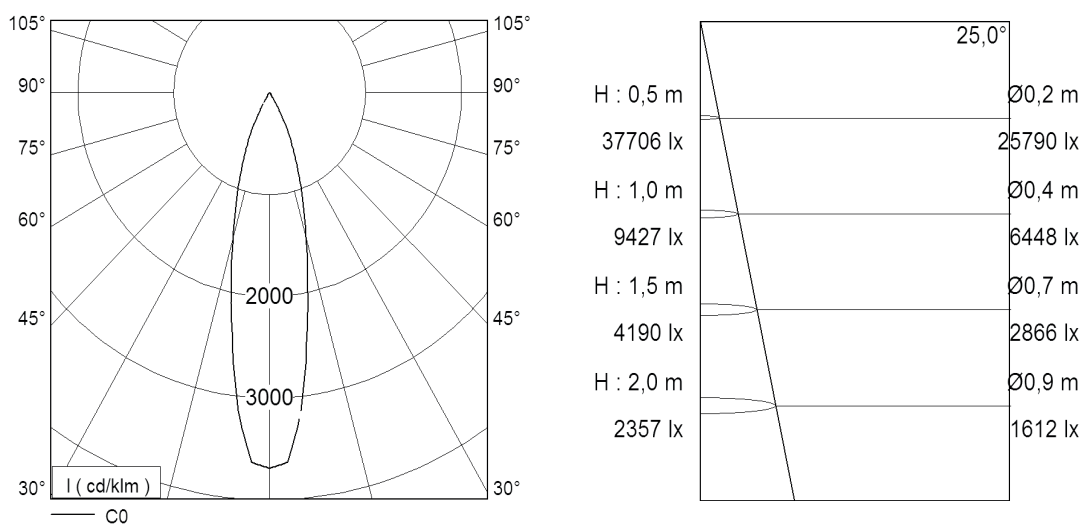




Light distribution (measured with Philips SLM Gen4 3000 lm/4000 K)



LED	Made in Germany	50.000h 5 Jahre	CE	220-240V 50/60 Hz	PHILIPS Kooperationspartner
------------	-----------------	--------------------	----	----------------------	---------------------------------------

LED Data

Philips 1100lm / 830 A+
Philips 1100lm / 840 A+
Philips 1100lm / 930 A+
Philips 2000lm / 830 A+
Philips 2000lm / 840 A+
Philips 2000lm / 930 A+
Philips 3000lm / 830 A+
Philips 3000lm / 840 A+
Philips 3000lm / 930 A+

Different LED manufacturers on request

Description

Recessed Luminaires
Recessed ring made of sheet steel
Heat sink made of extruded aluminium black anodised
Safety glass integrated in the reflector
Reflector made of aluminium, polished and anodised
All visible parts powder coated
Tool-free installation by spring technology
incl. LED driver

Technical Information

Electronics
Electronics

Standard version ON / OFF
dimmable DALI

Dimension
Ceiling thickness
Weight

OD: 135mm / CC: 110mm / RD: 145mm
3 - 18mm
approx. 1.4kg
Colour Standard: white (RAL 9016), silver (RAL 9006), black (RAL 9005)
All RAL colours available
Surface fine structure

Reflector design
Safety glass
Supply voltage
Protection type
Protection class
Lighting Technology

specular
clear
220-240V, 50/60 Hz
IP20
I/II
LED Standard
Optional LED for brilliant white and colours in fashion lighting
Optional LED for bakery, vegetable and meat products
external LED driver
passive
50.000 operating hours

Supply unit

Cooling

LED Lifetime

OD = outer diameter / **CC** = ceiling cutout / **RD** = recessed depth

We reserve the right to change technical details and contents of this data sheet. We are not legally responsible for any unavoidable errors. Product images are examples and may differ from the original.