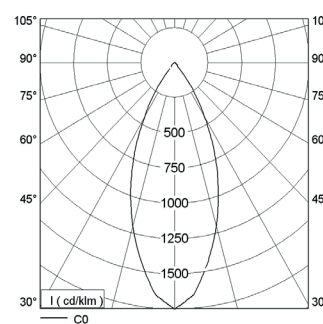
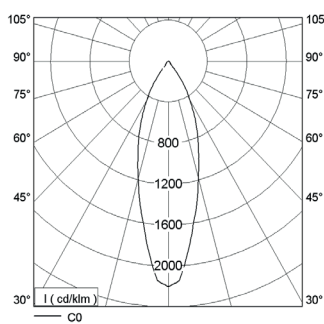
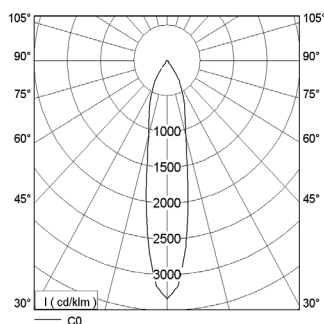
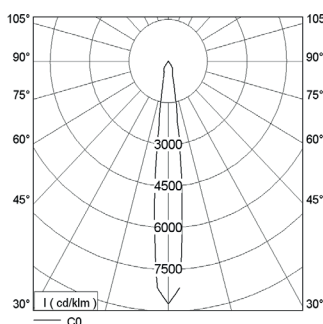




Light distribution (measured with Philips SLM Gen4 3000 lm/4000 K)



H	Beam Diameter	Beam Diameter
0,5 m	Ø0,1 m	13,4°
1,0 m	Ø0,2 m	
1,5 m	Ø0,4 m	
2,0 m	Ø0,5 m	

H	Beam Diameter	Beam Diameter
0,5 m	Ø0,2 m	21,4°
1,0 m	Ø0,4 m	
1,5 m	Ø0,6 m	
2,0 m	Ø0,8 m	

H	Beam Diameter	Beam Diameter
0,5 m	Ø0,3 m	32,8°
1,0 m	Ø0,6 m	
1,5 m	Ø0,9 m	
2,0 m	Ø1,2 m	

H	Beam Diameter	Beam Diameter
0,5 m	Ø0,4 m	43,2°
1,0 m	Ø0,8 m	
1,5 m	Ø1,2 m	
2,0 m	Ø1,6 m	

LED	Made in Germany	50.000h 5 Jahre	CE	220-240V 50/60 Hz	PHILIPS Kooperationspartner
------------	------------------------	----------------------------	-----------	------------------------------	---------------------------------------

LED Data

Philips 1100lm / 830 A+
Philips 1100lm / 840 A+
Philips 1100lm / 930 A+
Philips 2000lm / 830 A+
Philips 2000lm / 840 A+
Philips 2000lm / 930 A+
Philips 3000lm / 830 A+
Philips 3000lm / 840 A+
Philips 3000lm / 930 A+
Philips 4500lm / 830 A+
Philips 4500lm / 840 A+
Philips 4500lm / 930 A+

Different LED manufacturers on request

Description

Recessed Directional Luminaires, tilting and turning
Recessed ring made of sheet steel
Heat sink made of extruded aluminium black anodised
Housing made of die-cast aluminium with bayonet lock
Safety glass and reflector integrated into the bayonet ring
All visible parts powder coated
Reflector made of aluminium, polished and anodised
Tool-free installation by spring technology
incl. LED driver

Technical Information

Electronics	Standard version ON / OFF
Electronics	dimnable DALI
Dimension	OD: 195mm / CC: 180mm / RD: 180mm
Ceiling thickness	3 - 18mm
Weight	approx. 2.2kg
Colour	Standard: white (RAL 9016), silver (RAL 9006), black (RAL 9005) All colours available Surface fine structure
Reflector design	Inter-changeable bayonet type reflectors
Safety glass	clear or matt
Supply voltage	220-240V, 50/60 Hz
Protection type	IP20
Protection class	I/II
Light Technology	LED Standard Optional LED for brilliant white and colours in fashion lighting LED for bakery, vegetable and meat products
Optional	external LED driver
Supply unit	passive
Cooling	50.000 operating hours
LED Lifetime	

OD = outer diameter / **CC** = ceiling cutout / **RD** = recessed depth

We reserve the right to change technical details and contents of this data sheet. We are not legally responsible for any unavoidable errors. Product images are examples and may differ from the original.