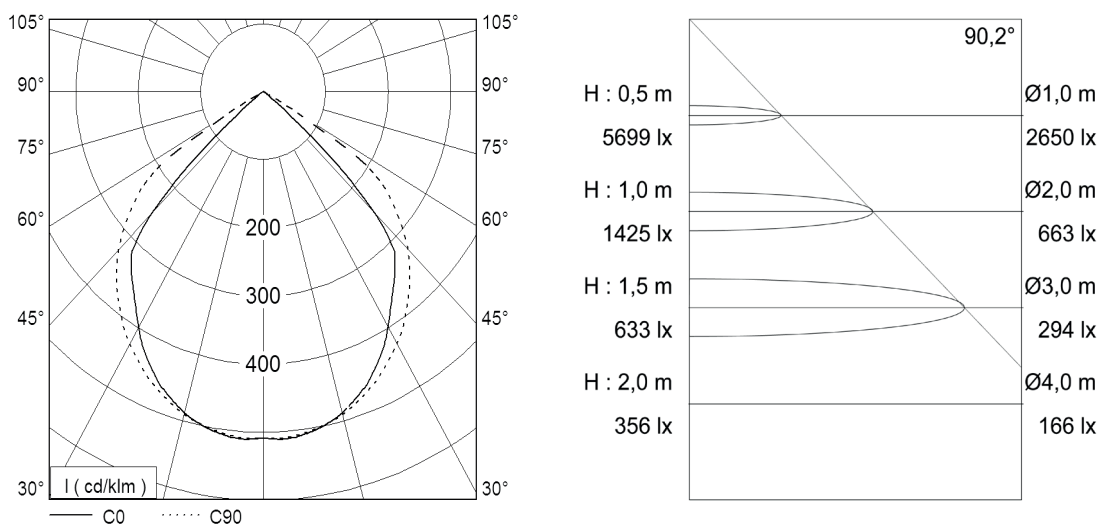


Light distribution (measured with Philips SLM Gen4 3000 lm/4000 K)



LED	Made in Germany	50.000h 5 Jahre	CE	220-240V 50/60 Hz	PHILIPS Kooperationspartner
------------	-----------------	--------------------	-----------	----------------------	---------------------------------------

LED Data

Philips 1100lm / 830 A+
Philips 1100lm / 840 A+
Philips 1100lm / 930 A+
Philips 2000lm / 830 A+
Philips 2000lm / 840 A+
Philips 2000lm / 930 A+
Philips 3000lm / 830 A+
Philips 3000lm / 840 A+
Philips 3000lm / 930 A+

Different LED manufacturers on request

Description

Track Directional Luminaires, tilting and turning
Housing from die-cast aluminium and of sheet steel
Heat sink made of extruded aluminium black anodised
Rotation 0-355° and tilt 180°
Safety glass and reflector integrated in the cover trim
All visible parts powder coated
3- phase adaptor or ceiling- / wall bracket
incl. LED driver

Technical Information

Electronics
Electronics

Standard version ON / OFF
dimmable DALI

Dimension
Weight
Colour

B: 297mm / H: 133mm / D: 144mm
approx. 2,6kg
Standard: white (RAL 9016), silver (RAL 9006), black (RAL 9005)
All RAL colours available
Surface fine structure

Reflector design
Safety glass
Supply voltage
Protection type
Protection class
Lighting Technology

matt
clear
220-240V, 50/60 Hz
IP20
I
LED Standard
Optional LED for brilliant white and colours in fashion lighting
Optional LED for bakery, vegetable and meat products
integrated LED driver
passive
50.000 operating hours

B = breadth / **H** = height / **D** = depth

We reserve the right to change technical details and contents of this data sheet. We are not legally responsible for any unavoidable errors. Product images are examples and may differ from the original.