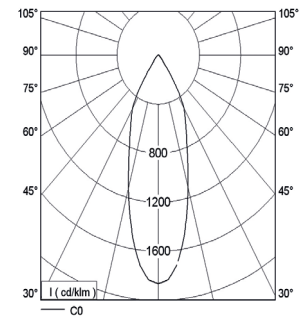
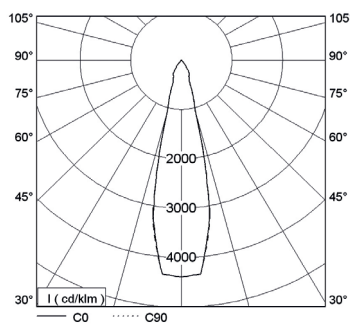
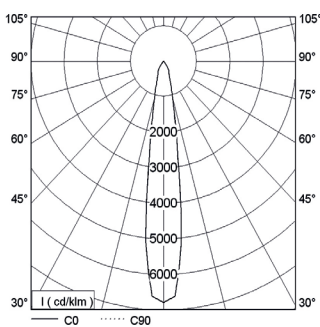




Light distribution (measured with Philips SLM Gen4 3000 lm/4000 K)



H	Beam Diameter	Beam Diameter
H : 0,5 m	Ø0,1 m	16,4°
75818 lx	55240 lx	
H : 1,0 m	Ø0,3 m	
18954 lx	13810 lx	
H : 1,5 m	Ø0,4 m	
8424 lx	6138 lx	
H : 2,0 m	Ø0,6 m	
4739 lx	3453 lx	

H	Beam Diameter	Beam Diameter
H : 0,5 m	Ø0,2 m	24,8°
48758 lx	38255 lx	
H : 1,0 m	Ø0,4 m	
12190 lx	9564 lx	
H : 1,5 m	Ø0,7 m	
5418 lx	4251 lx	
H : 2,0 m	Ø0,9 m	
3047 lx	2391 lx	

H	Beam Diameter	Beam Diameter
H : 0,5 m	Ø0,3 m	35,8°
19674 lx	12950 lx	
H : 1,0 m	Ø0,6 m	
4919 lx	3238 lx	
H : 1,5 m	Ø1,0 m	
2186 lx	1439 lx	
H : 2,0 m	Ø1,3 m	
1230 lx	809 lx	

LED	Made in Germany	50.000h 5 Jahre	CE	220-240V 50/60 Hz	PHILIPS Kooperationspartner
------------	-----------------	--------------------	----	----------------------	---------------------------------------

LED Data

Philips 1100lm / 830 A+
Philips 1100lm / 840 A+
Philips 1100lm / 930 A+
Philips 2000lm / 830 A+
Philips 2000lm / 840 A+
Philips 2000lm / 930 A+
Philips 3000lm / 830 A+
Philips 3000lm / 840 A+
Philips 3000lm / 930 A+
Philips 4500lm / 830 A+
Philips 4500lm / 840 A+
Philips 4500lm / 930 A+

Different LED manufacturers on request

Description

Track Directional Luminaires, tilting and turning
Housing from die-cast aluminium with bayonet lock
Heat sink made of extruded aluminium black anodised
Rotation 0°-355° and tilt 180° to 3000lm
Rotation 0°-355° and tilt 90° from 4000lm
Safety glass and reflector integrated in the cover trim
All visible parts powder coated
Reflector made of aluminium, polished and anodised
3- phase adaptor or ceiling- / wall bracket
incl. LED driver

Technical Information

Electronics

Standard version ON / OFF

Dimension

B: 266mm / H: 180mm / D: 91mm

Weight

approx. 2,7kg

Colour

Standard: white (RAL 9016), silver (RAL 9006), black (RAL 9005)

All RAL colours available

Surface fine structure

Reflector design

Inter-changeable bayonet type reflectors

Safety glass

clear

Supply voltage

220-240V, 50/60 Hz

Protection type

IP20

Protection class

I

Lighting Technology

LED Standard

Optional LED for brilliant white and colours in fashion lighting

Optional LED for bakery, vegetable and meat products

Supply unit

integrated LED driver

Cooling

passive

LED Lifetime

50.000 operating hours

B = breadth / **H** = height / **D** = depth

We reserve the right to change technical details and contents of this data sheet. We are not legally responsible for any unavoidable errors. Product images are examples and may differ from the original.